

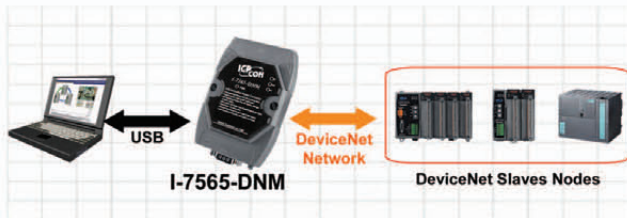
DeviceNet Module

USB/DeviceNet Master Converter

I-7565-DNM CR I-7565-DNM is a DeviceNet master solution for USB interface built-in 80186, 80 MHz CPU. It can easily control/configure DeviceNet slave nodes via PC.



- ✓ Comply with DeviceNet specification volume I, release 2.0 & volume II, release 2.0
- ✓ Support Predefined Master/Slave Connection Set
- ✓ I/O Operating Modes: Polling, Bit-Strobe, Change of State/Cyclic
- ✓ 2500 V_{rms} photo-couple isolation on the CAN side
- ✓ Built-in jumper for 120 Ω terminator resistor of CAN bus
- ✓ Built-in watchdog
- ✓ Support UCMM function and Group 2 client
- ✓ Support auto-scan slave device function
- ✓ Auto-reconnect when the connection is broken
- ✓ 3 kV galvanic isolation

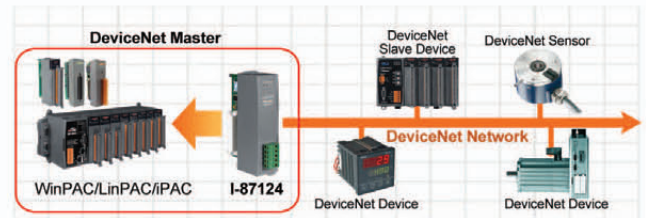


Standalone DeviceNet Master Expansion Module

I-87124 CR I-87124 can represent an economic solution of DeviceNet application and a DeviceNet master device on the DeviceNet network. I-87124 supports Group 2 and UCMM functions to communication with slave devices. It supports WinPAC-8000, LinPAC-8000, XPAC-8000 and iPAC-8000 series.



- ✓ DeviceNet Version: Volume I & II, Release 2.0
- ✓ Programmable Master MAC ID and baud rate
- ✓ Baud Rate: 125 k, 250 k, 500 kbps
- ✓ Support Group 2 and UCMM connection
- ✓ I/O Operating Modes: Poll, Bit-Strobe, Change of State/Cyclic
- ✓ I/O Length: 512 bytes Max. (Input/Output) per slave
- ✓ Slave Node: 63 nodes Max.
- ✓ Support Auto-search slave device function
- ✓ Support on-line adding and removing devices
- ✓ Support Auto-detect Group 2 and UCMM device
- ✓ Auto-reconnect when the connection is broken
- ✓ Status LED: RUN, MS, NS

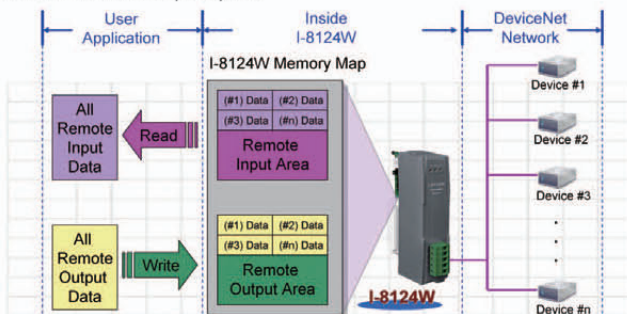


Standalone DeviceNet Master Expansion Module

I-8124W CR I-8124W can represent an economic solution of DeviceNet application and be a DeviceNet master device on the DeviceNet network. I-8124W supports Group 2 and UCMM functions simultaneously. It can be installed in ViewPAC or WP-8000 series PAC. It is popularly applied in the industrial automation, building automation, vehicle, and embedded control network. There is a complete DeviceNet protocol firmware in the I-8124W. The users can easily access the slave device via I-8124W in the ViewPAC and WP-8000 and need not to deal with the complex DeviceNet protocol. The users can use as easy as "Read/Write" functions to access slave I/O data.



- ✓ DeviceNet Version: Volume I & II, Release 2.0
- ✓ Programmable Master MAC ID and baud rate
- ✓ Baud Rate: 125 k, 250 k, 500 kbps
- ✓ Support Group 2 and UCMM connection
- ✓ I/O Operating Modes: Poll, Bit-Strobe, Change of State/Cyclic
- ✓ I/O Length: 512 bytes Max. (Input/Output) per slave
- ✓ Slave Node: 63 nodes Max.
- ✓ Support Auto-search slave device function
- ✓ Auto-reconnect when the connection is broken
- ✓ Status LED: RUN, MS, NS



ViewPAC WinPAC XPAC

